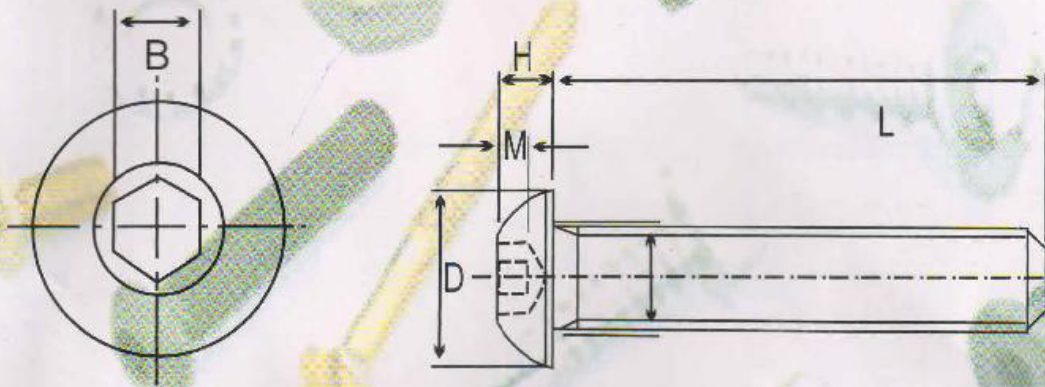
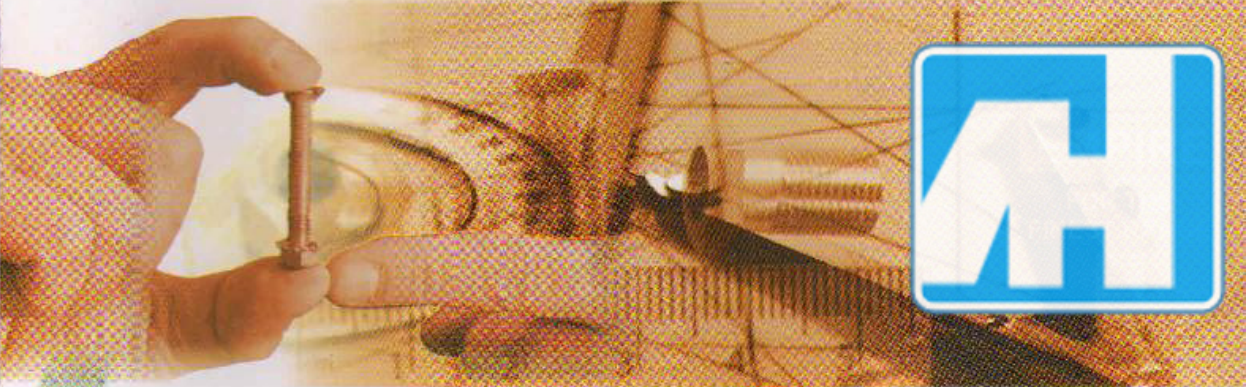




ISO 7380

SOCKET HEAD



Hexagon Socket Button Head

		M4	M5	M6	M8	M10	M12
D	Pitch	0.7	0.8	1.0	1.25	1.50	1.75
	Max	7.6	9.5	10.5	14.0	17.5	21.0
	Min	7.24	9.14	10.07	13.57	17.07	20.48
H	Max	2.20	2.75	3.30	4.40	5.50	6.60
	Min	1.95	2.50	3.00	4.10	5.20	6.24
B	Nom	2.52	3.02	4.02	5.02	6.02	8.02
	Max	2.56	3.08	4.095	5.095	6.095	8.115
	Min	2.52	3.02	4.02	5.02	6.02	8.02
M	Min	1.4	1.8	2.08	2.6	3.2	4.2