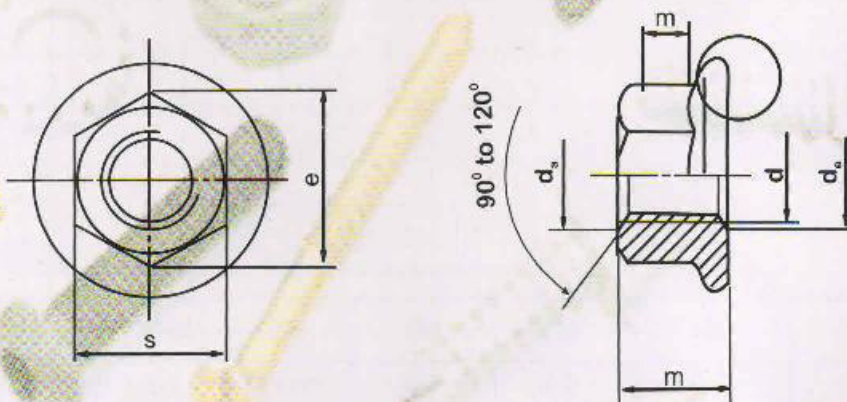
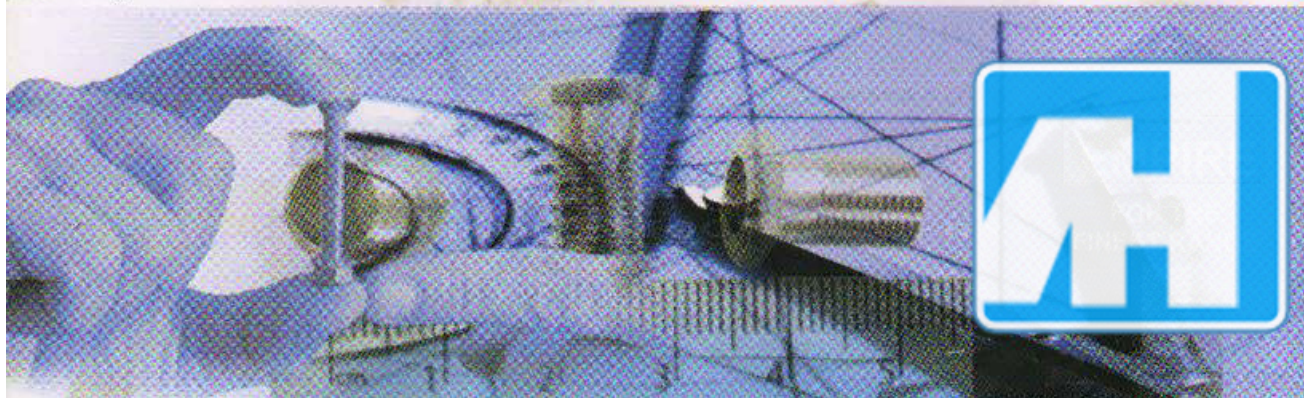




JIS B 1190

NUTS



Hex Flange Nut AS Per JIS B 1190

Designation of Screw thread (d)		s		e	d _c	d _w	m	
Coarse thread	Fine thread	Reference dimension	Tolerance	Min	Max.	Min.	Reference dimension	Tolerance
M4	-	7	0	7.74	10.5	7.5	4.2	0
M5	-	8	-0.2	8.87	12	9	5	-0.75
M6	-	10		11.05	14	11	6	
M8	M8X1	12	0	13.25	17.5	14.5	8	0
M10	M10X1.25	14	-0.25	15.51	21	18	10	-0.90
M12	M12X1.25	17		18.90	25	22	11.5	0
(M14)	(M14X1.5)	19	0	21.10	29	26	13.5	-1.1
M16	M16X1.5	22	-0.35	24.49	33	30	15	